



**MODELS:**

Voltage	Output	Lumen	Dimensions	Weight	Color	Post diameter	Order No.
230 V AC +/- 10% 50 / 60 Hz	280 W	30.000	H: 90 mm Ø: 640 mm	18.0 kg	grey DB703	86 mm	N8GR2886
						76 mm	N8GR2876
						60 mm	N8GR2860

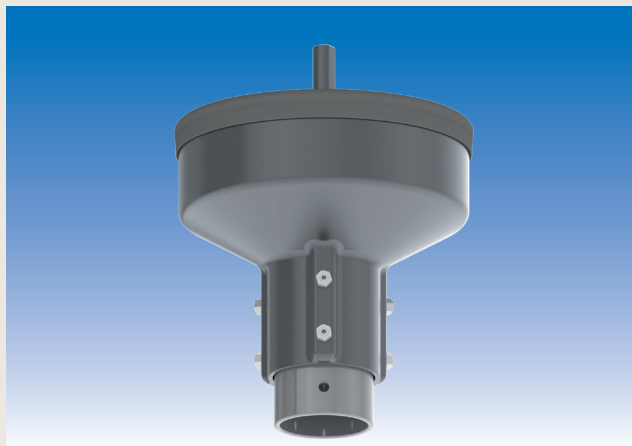
**SPECIAL FEATURES:**

- 8 LED modules with 27 LEDs each → 216 LEDs for homogeneous 360° lighting exposure
- Rated power of 280 watts → Low energy costs
- Robust plastic powder-coated aluminum housing → Weather-resistant, durable, long lifespan
- Plastic power-coated heat sink → Excellent heat management with large number of cooling ribs
- LED modules supplied individually by drivers → High availability
- Modular design of the luminaire → LED modules and drivers replaceable individually
- Color temperature: 5,000 K → Daylight-similar
- Surrounding temperature: -25°C to +40°C → Use also in the case of high temperature fluctuations indoors and outdoors
- Protection class 2
- Protection rating: IP65 → Dustproof and water-jet-proof

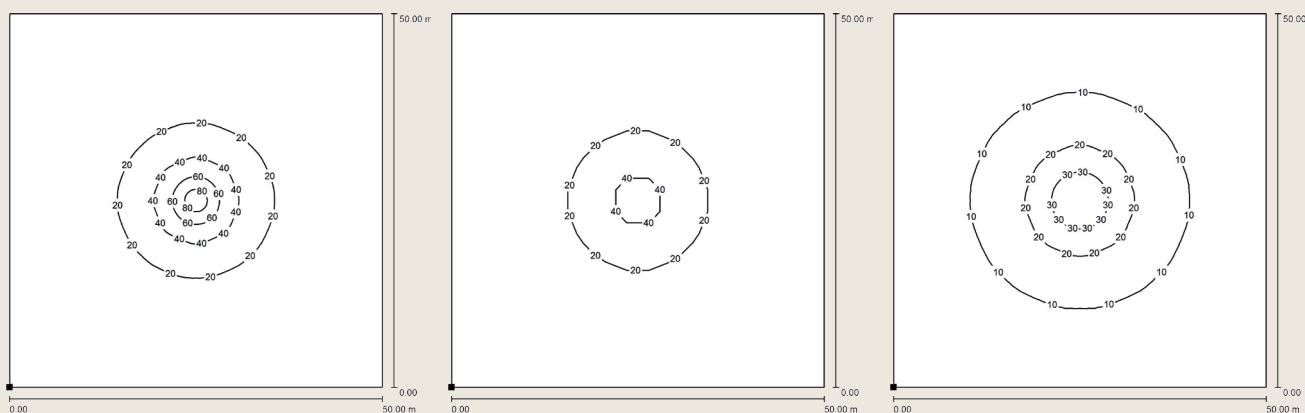
Scope of delivery: 1 N8LED post-top luminaire, 1 post-top mounting (depending on model with pole tube), 1 strain-relief sphere, 1 attachment set

– other models on request / subject to modifications and errors –

**Mast attachment of plastic powder-coated aluminum**



- The power supply cable is channeled through the post
- It is secured by a strain-relief sphere
- Attachment takes place via an attachment box
- From the attachment box, the power supply for the luminaire is provided via a pre-assembled cable with plug and socket device with fastening bolt
- Three-sided fastening with 6 V2A bolts M8
- The attachment is for a mast diameter of 86 mm
- The diameter is reduced in the case of corresponding post tubes to 76 mm or 60 mm
- Other diameters on request



Mounting height: 8.00 m  
 $E_{m^*}$ : 8.27 Lux  
 $E_{min^*}$ : 0.14 Lux  
 $E_{max^*}$ : 87.00 Lux

Mounting height: 10.00 m  
 $E_{m^*}$ : 7.90 Lux  
 $E_{min^*}$ : 0.33 Lux  
 $E_{max^*}$ : 56.00 Lux

Mounting height: 12.00 m  
 $E_{m^*}$ : 7.55 Lux  
 $E_{min^*}$ : 0.46 Lux  
 $E_{max^*}$ : 39.00 Lux

– other models on request / subject to modifications and errors –